

BUSTER+PUNCH

LONDON

[product.]

SHELF / CAST / SMALL

[process. **ROUGH-CAST.**]

[range. **CAST BATHROOM..**]

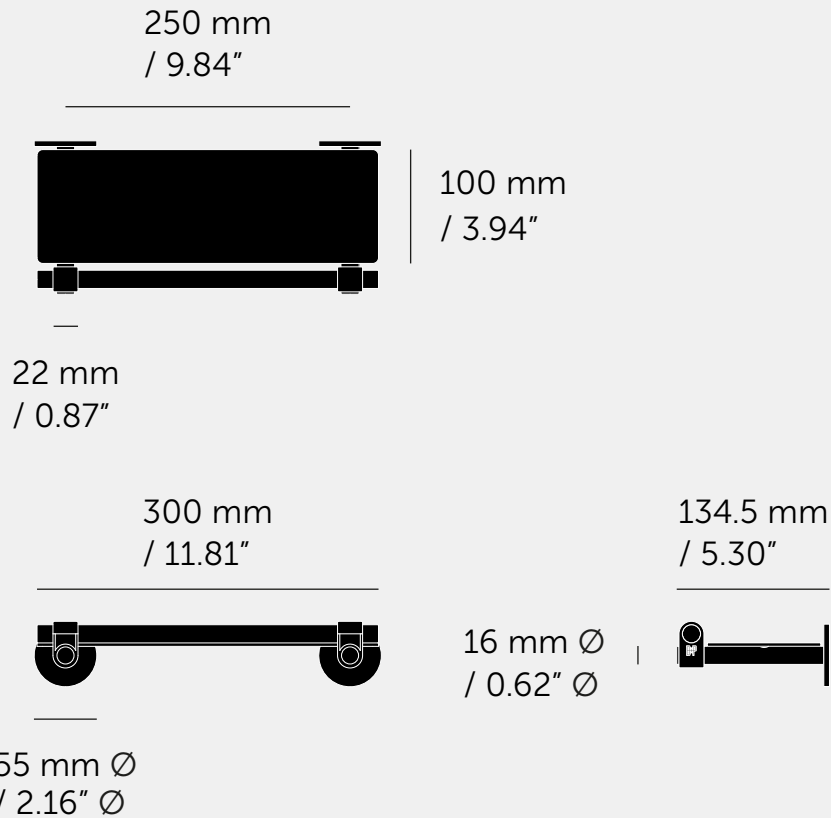
[born. **LONDON.**]

A small shelf featuring a solid metal, hand polished shelf, rough-cast knuckles and solid metal bar, with solid metal discs. All refined by hand. Available in steel, brass, gun metal and welders black.



[type. **SHELF / SMALL.**]

[info. **MEASUREMENTS.**]



[info. **SPECIFICATIONS.**]

A wall mounted, hand refined, solid metal shelf. It's made from a solid sheet of metal, with cast metal knuckles and hand polished solid metal bar.

The shelf is perfect as part of a Buster + Punch bathroom to hold ointments colognes and lotions and can be used with a hook (not supplied) to hang hand towels. It can also be mounted in spaces like kitchens and hallways, or used as an alternative for a bedside dresser.

Available in steel, brass, gun metal and welders black, with durable finishes that make it suitable for bathroom use.

Please note, this shelf is front mounted, fixing screws are not supplied. You will need to source fixings suitable for the wall you are installing the shelf on.

Max load, 10 kg.

[info. **CARE INSTRUCTIONS.**]

Clean regularly with a soft, dry cloth or duster. Wash periodically using a soft cloth and mild soapy water then dry immediately with a clean, soft cloth. Rubbing or wiping should be carried out in the direction of the polish lines, not across them. DO NOT use oily rags or greasy cloths when wiping the product surface. All finishes prone to ageing.

[info. **INCLUDED.**]

1 x Small shelf

[info. **FINISH & SKU NUMBERS.**]

[finish.]	[sku.]
Steel	UMC-072169
Brass	UMC-052170
Gun Metal	UMC-352171
Welders Black	UMC-592172

[info. **RECOMMENDED.**]

For Installation:

8 x M4 countersunk screws

M4 wall plugs

Hammer action drill with masonry bit (for masonry walls)

Impact driver with drill bit (for stud walls)

For heavier loads it is recommended that longer screws & wall plugs are used

[please. **NOTE.**]

DISCLAIMER: Always consult a trade professional when installing this shelf. Buster + Punch is not responsible for the usage or feasibility of installation requirements.

BUSTER+PUNCH

LONDON

[product.]

SHELF /CAST / MEDIUM

[process. **ROUGH-CAST.**]

[range. **CAST BATHROOM..**]

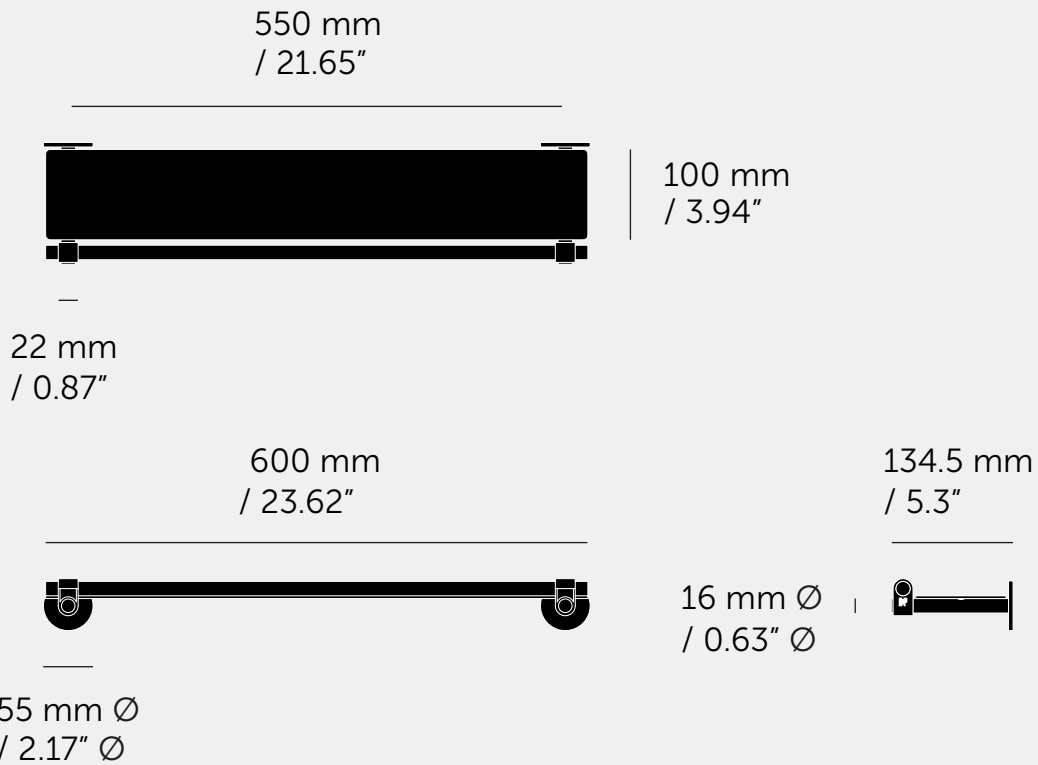
[born. **LONDON.**]

A medium shelf featuring a solid metal, hand polished shelf, rough-cast knuckles and solid metal bar, with solid metal discs. All refined by hand. Available in steel, brass, gun metal and welders black.



[type. **SHELF / MEDIUM.**]

[info. **MEASUREMENTS.**]



[info. **SPECIFICATIONS.**]

A wall mounted, hand refined, solid metal shelf. It's made from a solid sheet of metal, with cast metal knuckles and hand polished solid metal bar.

The shelf is perfect as part of a Buster + Punch bathroom to hold ointments colognes and lotions and can be used with a hook (not supplied) to hang hand towels. It can also be mounted in spaces like kitchens and hallways, or used as an alternative for a bedside dresser.

Available in steel, brass, gun metal and welders black, with durable finishes that make it suitable for bathroom use.

Please note, this shelf is front mounted, fixing screws are not supplied. You will need to source fixings suitable for the wall you are installing the shelf on.

Max load, 10 kg.





[info. **CARE INSTRUCTIONS.**]

Clean regularly with a soft, dry cloth or duster. Wash periodically using a soft cloth and mild soapy water then dry immediately with a clean, soft cloth. Rubbing or wiping should be carried out in the direction of the polish lines, not across them. DO NOT use oily rags or greasy cloths when wiping the product surface. All finishes prone to ageing.

[info. **INCLUDED.**]

1 x Medium shelf

[info. **FINISH & SKU NUMBERS.**]

[finish.]	[sku.]
 Steel	UBA-071320
 Brass	UBA-051321
 Gun Metal	UBA-351322
 Welders Black	UBA-481323

[info. **RECOMMENDED.**]

For Installation:

8 x M4 countersunk screws

M4 wall plugs

Hammer action drill with masonry bit (for masonry walls)

Impact driver with drill bit (for stud walls)

For heavier loads it is recommended that longer screws & wall plugs are used

[please. **NOTE.**]

DISCLAIMER: Always consult a trade professional when installing this shelf. Buster + Punch is not responsible for the usage or feasibility of installation requirements.